



**Zakład Mechaniki i Elektroniki
ZAMEL sp.j.**
J.W. Dzida, K. Łodzińska



ul. Zielona 27, 43-200 Pszczyna, Poland
Tel. +48 (32) 210 46 65, Fax +48 (32) 210 80 04
www.zamelcet.com, e-mail: marketing@zamel.pl

DESCRIPTION

The one mode time relay PCM-03/24V has a flasher (change-over) function in automation and control systems. The relay is released by power supply voltage. It has a wide time adjustment range from 0,1 s to 10 days. Additional ON/OFF functions enable constant switch on, switch off of the output (load). The system has the indicators of power supply voltage, relay mode, and time measure with the help of red LED diode.

FEATURES

- Operating mode: flasher starting with OFF (input voltage release),
- supply voltage control indicator - LED green,
- power/relay supply indicator and time measure - LED red,
- time measure accuracy,
- wide time adjustment range,
- constant switch on, switch off function,
- relay output - 1 change-over contact (NO/NC) contact max 16 A capacity,
- TH 35 DIN rail installation.



The device is designed for one-phase installation and must be installed in accordance with standards valid in a particular country. The device should be connected according to the details included in this operating manual. Installation, connection and control should be carried out by a qualified electrician staff, who act in accordance with the service manual and the device functions. Disassembling of the device is equal with a loss of guarantee and can cause electric shock. Before installation make sure the connection cables are not under voltage. The cruciform head screwdriver 3,5 mm should be used to instal the device. Improper transport, storage, and use of the device influence its wrong functioning. It is not advisable to instal the device in the following cases: if any device part is missing or the device is damaged or deformed. In case of improper functioning of the device contact the producer.

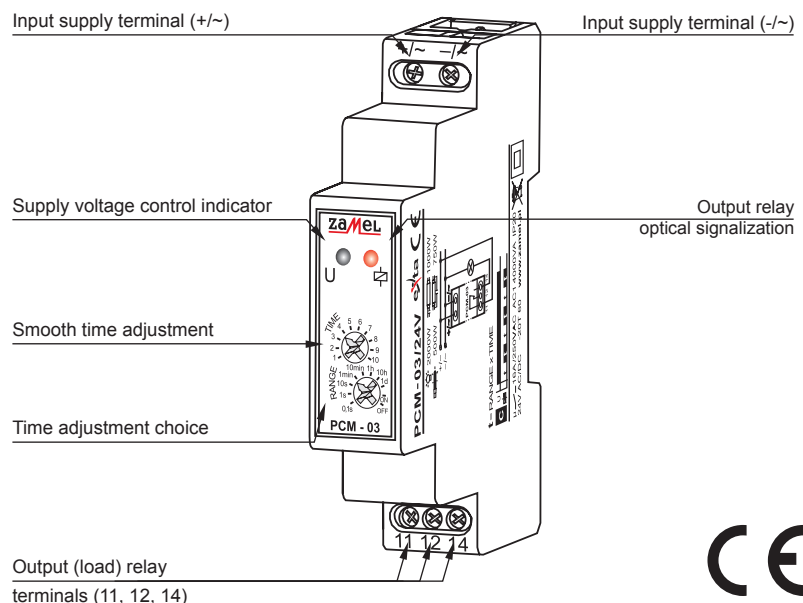


The symbol stands for selective collection of electrical and electronic devices. Placing used devices with other waste is not allowed

TECHNICAL PARAMETERS

PCM-03	
Input (supply) terminals:	-/~ , +/~
Input rated voltage:	24V AC/DC
Input voltage tolerance:	-15 ÷ +10 %
Supply voltage optical signalization:	green LED diode
Nominal frequency:	50 / 60 Hz
Rated power consumption:	25 mA
Operating mode number:	1 (flasher starting with off)
Time adjustment range t:	0,1 s ÷ 10 dni
Time measure accuracy:	0,2 %
Time adjustment:	2x potentiometer (rotary + step)
Output relay optical signalization:	red LED diode
Output relay parameters:	1NO/NC - 16 A / 250 V AC1 4000 VA
Number of terminal clamps:	5
Section of connecting cables:	from 0,2 to 2,50 mm ²
Ambient temperature range:	from -20 to +60 °C
Operating position:	free
Mounting:	TH 35 rail (PN-EN 60715)
Protection degree:	IP20 (PN-EN 60529)
Protection class:	II
Overvoltage category:	II
Pollution degree:	2
Rated impulse withstand voltage:	2 kV (PN-EN 61000-4-5)
Dimensions (height / width / depth):	monomodular (17,5 mm) 90x17,5x66 mm
Weight:	0,08 kg
Reference standards:	PN-EN 60730-1 PN-EN 60730-2-7 PN-EN 61000-4-2,3,4,5,6,11

APPEARANCE



MOUNTING

1. Disconnect the power supply from the mains by the phase fuse, the circuit breaker or the switch disconnector that are joined to the proper circuit,
2. Check if there is no voltage on connection cables by means of a special measuring equipment,
3. Install PCM-03/24V device in the switchboard on TH 35 DIN rail,
4. Connect the cables with the terminals according to installing diagram,
5. Switch on the power supply from the mains,
6. Adjust the time using the **TIME** and **RANGE** knobs, where $t = \text{TIME} \times \text{RANGE}$.

Switching on the power supply voltage causes the green LED luminosity. The cycle will be automatically initiated with the adjusted time.

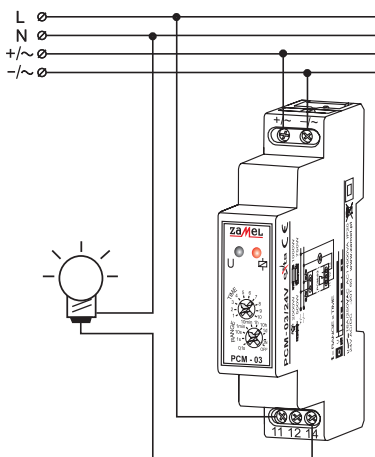
FUNCTIONING



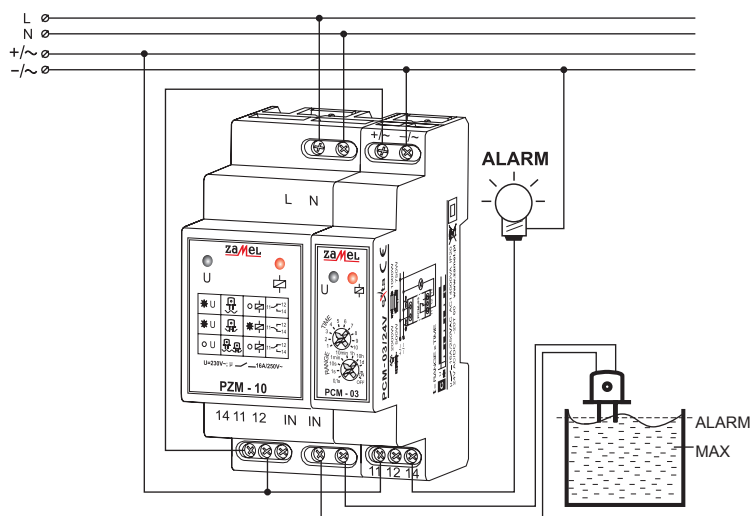
FLASHER STARTING WITH OFF - (Starting from the switch off position). After the supply voltage [U] has been applied, the adjusted time [t] measurement starts. After the time [t] is over, the relay switches on (pos.11-14) and the adjusted time [t] is being measured once more. After the adjusted time [t] is over, the output relay [R] returns to the initial state, and the next operating cycle of the relay starts. The relay operates until the supply voltage is removed.

U	Diodes' function description	Time adjustment example t	
	relay switched off (closed contacts 11-12), time measure off		$t = \text{TIME} \times \text{RANGE}$ $t = 8 \times 1 \text{ d} = 8 \text{ d}$
	relay switched on (closed contacts 11-14), time measure on (flashing diode)		$t = \text{TIME} \times \text{RANGE}$ $t = 3 \times 1 \text{ h} = 3 \text{ h}$

CONNECTING



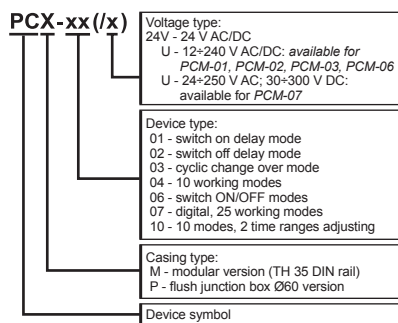
EXAMPLE OF INSTALLATION



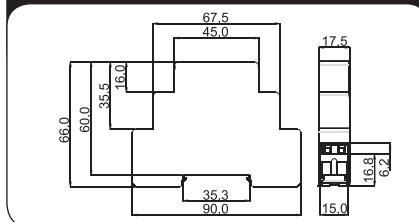
PCM-03/24V time relay works as a supply impulse generator. It cooperates with PZM-10 flood relay contact switching on the alarm system cyclically in the moment of liquid detection at the sensor level.

PRODUCT FAMILY

PCM-03/24V time relay belongs to PCx time relay product family.



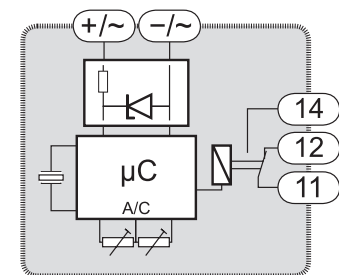
DIMENSIONS



RELAY CAPACITY



INNER DIAGRAM



GUARANTEE CARD

There is 24 months guarantee on the product

1. ZMIE ZAMEL SP. J. assures 24 months guarantee for the product.
2. The manufacturer's guarantee does not cover any of the following actions:
 - a) mechanical damage during transport, loading / unloading or under other circumstances,
 - b) damage caused by incorrect product mounting or misuse,
 - c) damage caused by unauthorised modifications made by the PURCHASER or any third parties to the product or any other devices needed for the product functioning,
 - d) damage caused by Act of God or any other incidents independent of the manufacturer.
3. The PURCHASER shall lay any claims in writing to the dealer or ZMIE ZAMEL SP. J.
4. ZMIE ZAMEL SP. J. is liable for processing any claim according to current Polish legislation.
5. ZMIE ZAMEL SP. J. shall process the claim at its own discretion: product repair, replacement or money return.
6. The manufacturer's guarantee is valid in the Republic of Poland.
7. The PURCHASER's statutory rights in any applicable legislation whether against the retailer arising from the purchase contract or otherwise are not affected by this warranty.

Salesman stamp and signature, date of sale