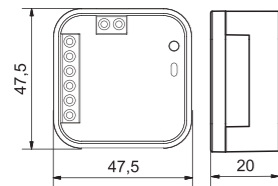


## INSTALLATION

1. Disconnect the power supply circuit with a fuse, circuit breaker or switch disconnector connected to an appropriate circuit.
2. Check the de-energized condition on the power supply cables by means of the appropriate instrument.
3. Connect the cables to the appropriate controller terminals in line with the connection scheme.
4. Place the SRP-05 device in the junction box.
5. Connect the power supply circuit and check for correct operation.

## DIMENSIONS



**CAUTION** Connect this product to a single-phase power system according to applicable electrical and safety standards and regulations. See this Manual for the wiring instructions. Installation, wiring and adjustment/setting shall only be done by qualified electricians who have read and understood this User Manual and the functions of the product. Do not open or otherwise disassemble the product housing; otherwise the product warranty will be void and an electrocution hazard may occur. Prior to installing and wiring this product, make sure that the wiring to be connected is not live. The conditions and methods of transport, storage and operation of this product may affect its performance. Do not install the product if any of its components are missing, the product is damaged or deformed in any way. If any malfunctions are found, consult the manufacturer.

**Do not dispose of this device with other waste! In order to avoid harmful effects on the environment and human health, the used device should be stored in designated areas. For this purpose, you can dispose of household waste free of charge and in any quantity to a collection point set up, as well as to the shop when you buy new equipment.**

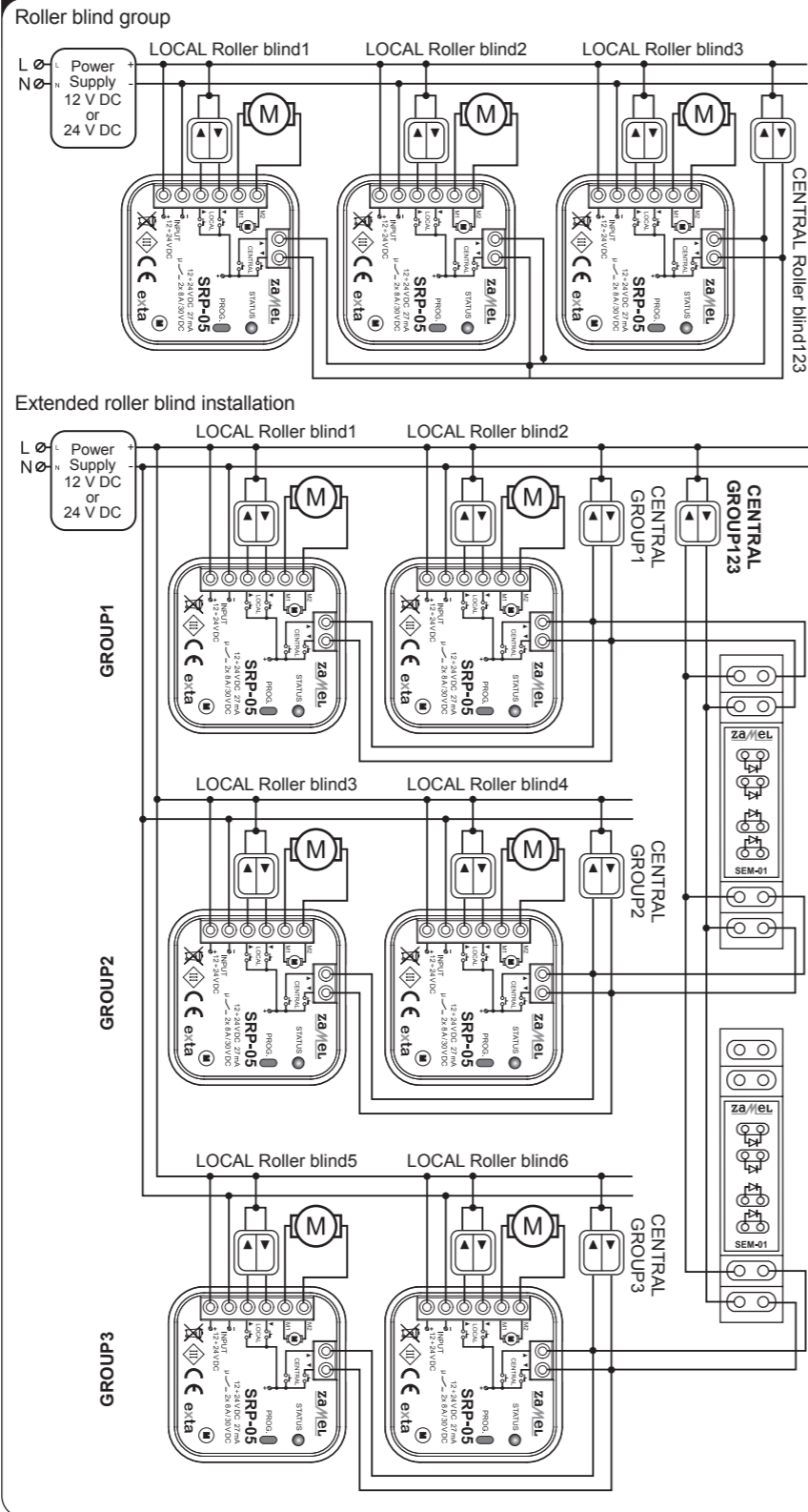
## WARRANTY CARD

24-month commercial warranty granted by the manufacturer

1. ZAMEL Sp. z o.o. grants a 24-month warranty for the goods it sells.
2. The warranty granted by ZAMEL Sp. z o.o. does not cover:
  - a) mechanical damage caused by transport, loading/unloading or other circumstances,
  - b) any damage resulting from improper installation or use of the goods sold by ZAMEL Sp. z o.o.,
  - c) any damage resulting from any modifications made by the BUYER or any third party to the sold goods or to the equipment required for the proper functioning of the sold goods,
  - d) damage caused by any force majeure event or another fortuitous event beyond any reasonable control of ZAMEL Sp. z o.o.
3. The BUYER shall report all warranty claims in writing at the point of sale or to ZAMEL Sp. z o.o.
4. ZAMEL Sp. z o.o. will examine each warranty claim as regulated by the applicable provisions of the Polish law.
5. The form of warranty claim resolution, i.e. replacement, repair or refund of the price of purchase, shall be decided upon by ZAMEL Sp. z o.o.
6. This warranty does not exclude, limit or suspend any rights of the BUYER arising from the statutory or regulatory laws concerning implied warranty for defects of sold goods.

Seller's stamp and signature with date of sale

## INSTALLATION EXAMPLES



# FLUSH-MOUNTED ROLLER BLIND CONTROLLER SRP-05

USER MANUAL

# exta

ZAMEL Sp. z o.o.

ul. Zielona 27, 43-200 Pszczyna, Poland  
tel. +48 (32) 210 46 65, fax +48 (32) 210 80 04  
[www.zamel.com](http://www.zamel.com), e-mail: [export@zamel.pl](mailto:export@zamel.pl)

# zamel

## DESCRIPTION

The SRP-05 flush-mounted roller blind controller is designed to control window roller blinds or other devices powered by direct current motors at 12 V or 24 V. Control can be local or central, using return roller blind switches. With local control, double and single switches must be used. With central control, only double switches can be used. In terms of functionality, the controller can be used to program two independent comfort settings (lower and upper) and maximum roller movement time. SRP-05 can operate as a standalone controller or can be united in larger sections. A special functionality of central control inputs can lock the roller blind in the closed or open position. The controller can thus cooperate with alarm systems and auxiliary devices, such as a weather station, an illuminance sensor, a precipitation sensor, control timers. Pulses from the "+" line are the release signals.

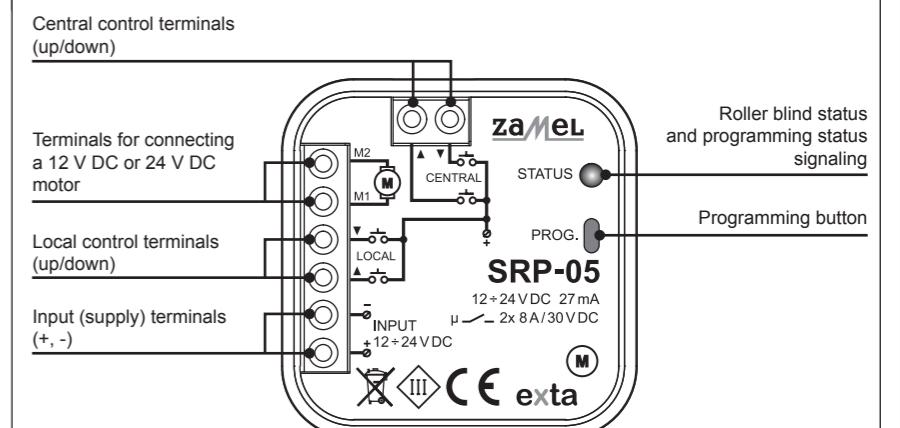
## FEATURES

- Intended for wire control of window roller blind, canopy, gate drives,
- control of other devices powered by 12 V DC or 24 V DC electric motors,
- local and central control,
- standalone operation or united in larger sections (grouping),
- local control performed from the level or single or double roller blind switches,
- central control performed from double roller blind switches only,
- the roller blind is lockable in the closed or open position from the central input level,
- cooperation with alarm systems and auxiliary devices (e.g. a weather station, an illuminance sensor, a precipitation sensor, control timers),
- release from the "+" line only,
- the device is energy-saving, adapted to continuous operation,
- comfort mode - upper and lower - saving the roller blind position,
- programmable maximum roller blind movement time.

## TECHNICAL DATA

Power terminals:	+, -
Rated supply voltage:	12 + 24 VDC
Rated power consumption:	standby: 0,053 W (at $U_{IN}=12$ V DC)
	0,21 W (at $U_{IN}=24$ V DC)
	work mode: 0,33 W (at $U_{IN}=12$ V DC) 0,51 W (at $U_{IN}=24$ V DC)
Maximum load:	6A
Control signal:	short pulses from the "+" line
Optic signaling of roller blind movement:	red LED
Default roller blind movement time:	120 s
Roller blind movement time programming:	yes - from 1 s to 10 min.
Comfort position:	yes - upper and lower
Time range for comfort modes:	from 1 s to 10 min.
Local control terminals:	LOCAL (▲), (▼)
Central control terminals:	CENTRAL (▲), (▼)
Local control:	double or single roller blind switches
Central control:	double roller blind switches
Motor power terminals:	M1, M2
Relay terminal parameters:	2NO 8A / 30 VDC (voltage contacts)
Number of connection terminals:	8
Section of connection cables:	0.2 + 2.50 mm <sup>2</sup>
Operating temperature:	-10 + +55 °C
Working position:	any
Housing fastening:	Ø60 mm junction box
Housing protection rating:	IP20 (PN-EN 60529)
Protection class:	III
Contamination level:	2
Dimensions:	47.5 x 47.5 x 20 mm
Weight:	0.044 kg
Compliance with the following standards:	PN-EN 60669, PN-EN 61000

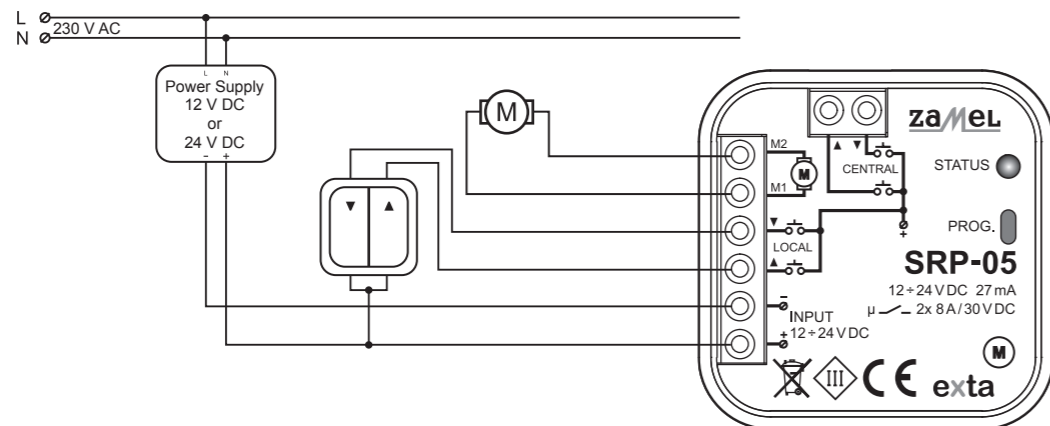
## WYGLĄD



## FUNCTION

### LOCAL CONTROL - DOUBLE ROLLER BLIND SWITCH

In this mode, short presses (<0.5s) on the corresponding local control switches will cause the SRP-05 controller to perform the following operations: opening, closing or stopping a roller blind equipped with a 12 V DC or 24 V DC motor. Roller blind movement time is consistent with the time programmed in the controller. The default timer setting is 120 s. After the first press on the local control switch, the roller blind moves in the selected direction. After consecutive pressing on any of the local control switches, the roller blind is stopped. Roller blind movement is signaled by the STATUS LED. After a longer pressing on the corresponding local control switch (>2.5s), the controller executes the configured comfort settings (lower / upper).



#### Execution of the upper comfort setting:

To execute the upper comfort setting, completely open the roller blind. Next, press and hold (>2.5s) the local control switch (LOCAL ▼). The roller blind will start to close and will automatically stop in the programmed upper comfort position.

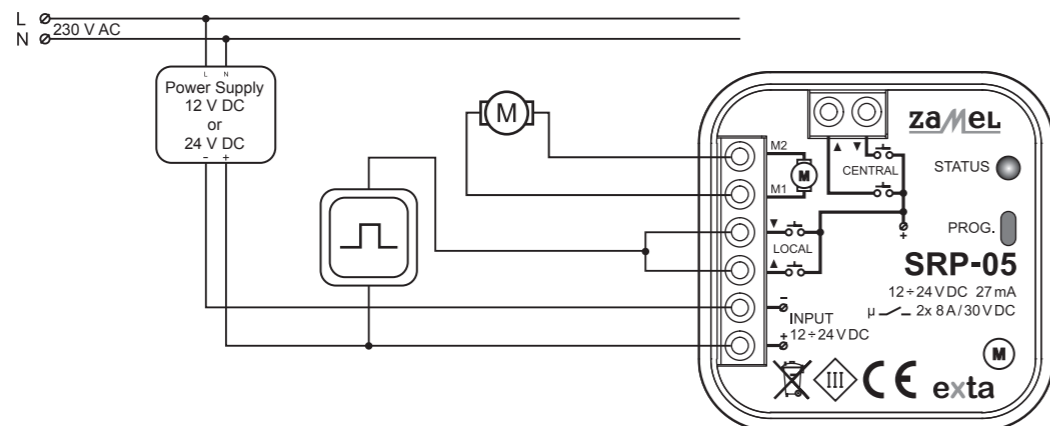
#### Execution of the lower comfort setting:

To execute the lower comfort setting, completely close the roller blind. Next, press and hold (>2.5s) the local control switch (LOCAL ▲). The roller blind will start to open and will automatically stop in the programmed lower comfort position.

### LOCAL CONTROL - SINGLE SWITCH

Local control using the single switch is enabled when LOCAL (▲) and LOCAL (▼) inputs are connected.

In this mode, short presses (<0.5s) on the corresponding local control switch will cause the SRP-05 controller to perform the following operations: opening, closing or stopping a roller blind equipped with a 12 V DC or 24 V DC motor. Roller blind movement is controlled according to the following sequence: open - stop - close. Roller blind movement is signaled by the STATUS LED. After a longer pressing on the local control switch (>2.5s), the controller executes the configured comfort settings.



#### Execution of the upper comfort setting:

To execute the upper comfort setting, completely open the roller blind. Next, press and hold (>2.5s) the local control switch. The roller blind will start to close and will automatically stop in the programmed upper comfort position.

#### Execution of the lower comfort setting:

W celu wywołania ustawienia komfortowego dolnego należy całkowicie zamknąć roletę. Następnie należy dłużej (> 2,5 s) przytrzymać przycisk sterowania lokalnego. Roleta zacznie się otwierać i automatycznie zatrzyma się w zaprogramowanym położeniu komfortowym dolnym.

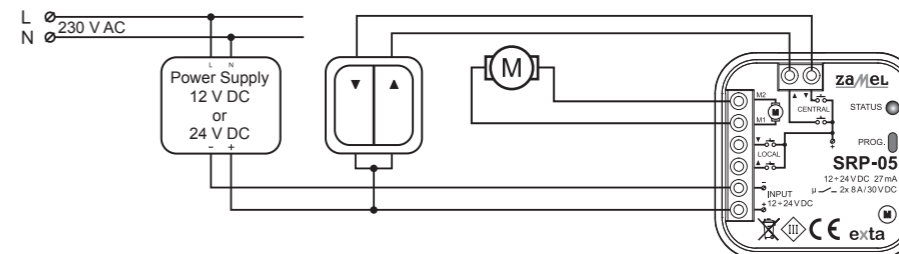
#### NOTE:

The comfort setting timers (for both the upper and lower positions) are the same for the double and single switches. The programmed roller blind movement time must be longer than the programmed times for the comfort settings. After changing the local control mode from the single switch to the double switch, make sure to restart the controller (disconnect from power supply and reconnect).

## FUNCTION

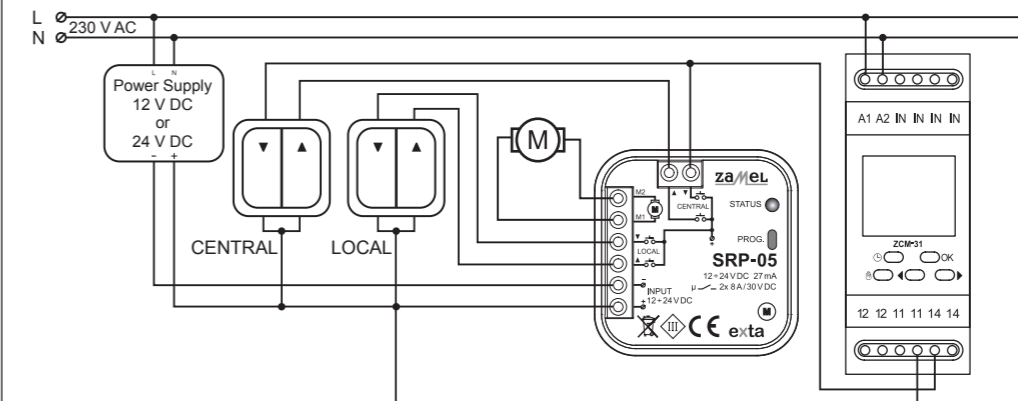
### CENTRAL CONTROL - DOUBLE ROLLER BLIND SWITCH ONLY

In this mode, short presses (<0.5s) on the corresponding local control switch will cause the SRP-05 controller to perform the following operation: opening and closing a roller blind equipped with a 12 V DC or 24 V DC motor. The roller blind is stopped after the programmed roller blind movement time or after pressing any local control switch. The default roller blind movement time is 120 s. If a central command is sent within this time, causing the roller blind to move in the opposite direction, the roller blind will be stopped and will start moving in the opposite direction after about 0.5 s. Roller blind movement is signaled by the STATUS LED.



#### Central control input locking mode

Central control inputs can lock the roller blind in the closed or open position. For this purpose, signal from the "+" line should be this sent to the corresponding CENTRAL (▲▼) input. This can be performed, among others, by the alarm unit, the illuminance sensor, the precipitation sensor or the control timer. In the locking mode, all other control inputs are disabled. Central control inputs are used for long-term release.



#### Model application:

The ZCM-31 astronomical clock centrally closes the window roller blind system at dusk. Local / central control is only enabled at dawn, when the 11-14 contacts of the clock are opened.

## TIMER PROGRAMMING

### Roller blind movement time programming

Roller blind movement time can be programmed from 1s to 10 minutes. This time is common for up and down movement. By default, the roller blind movement time is 120 s. Due to mechanical issues, the opening of the roller blind lasts a bit longer than its closing. Therefore, the roller blind movement time should be programmed from the lower position (with the roller blind completely closed). The time is saved up to the power outage.

To program the roller blind movement time:

1. Close the roller blind completely.
2. Press the PRÓG button on the SRP-05 controller housing.
3. The roller blind will start to open and time will be measured, which will be signaled with the STATUS LED flashing.
4. When the roller blind reaches its upper position, press any local / central control switch. The roller blind will stop and the movement time will be saved in the SRP-05 controller memory.

### Programming comfort settings (times)

Comfort setting times can be programmed from 1s to 10 minutes. The upper and lower comfort settings are programmed separately.

#### UPPER COMFORT SETTING

To program the upper comfort setting (time):

1. Open the roller blind completely.
2. Press the PRÓG button on the SRP-05 controller housing.
3. The roller blind will start to close and time will be measured, which will be signaled with the STATUS LED flashing.
4. When the roller blind reaches the preset position (upper comfort position), press the PRÓG button on the SRP-05 controller housing again. The roller blind will stop and the upper comfort time will be saved in the SRP-05 controller memory.

#### LOWER COMFORT SETTING

To program the lower comfort setting (time):

1. Close the roller blind completely.
2. Press the PRÓG button on the SRP-05 controller housing.
3. The roller blind will start to open and time will be measured, which will be signaled with the STATUS LED flashing.
4. When the roller blind reaches the preset position (lower comfort position), press the PRÓG button on the SRP-05 controller housing again. The roller blind will stop and the lower comfort time will be saved in the SRP-05 controller memory.

To execute a required comfort setting, proceed according to the guidelines for the corresponding control method. **Comfort setting times are saved after a power outage.**