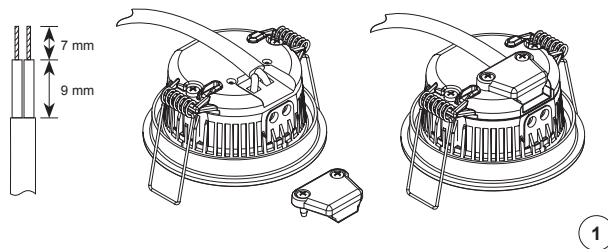


ASSEMBLY

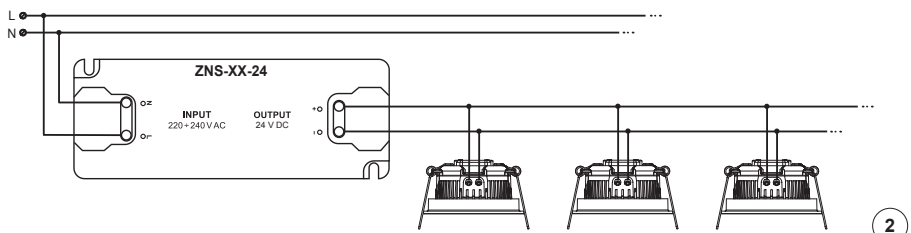
- Before assembling or replacing the Konekto lighting fittings, turn off the power.
- Make sure that the diameter of the mounting hole is compatible with the diameter of the Konekto lighting fittings.
- To mount the lighting fittings, connect the wires to terminals as presented in Figure 1, and then tighten the stay wire.
- An example of installation for 24 V lighting fittings is shown in Figure 2 and for 230 V dimming in Figure 4.
- To clean the Konekto lighting fittings, use only a soft dry cloth. Do not use chemicals.

CONNECTION

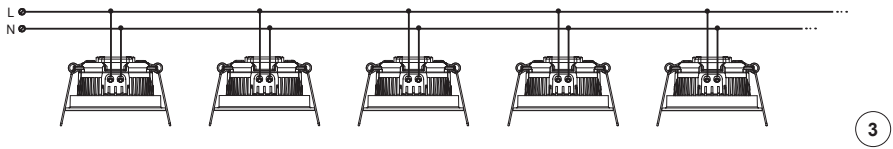


EXAMPLE OF INSTALLATION

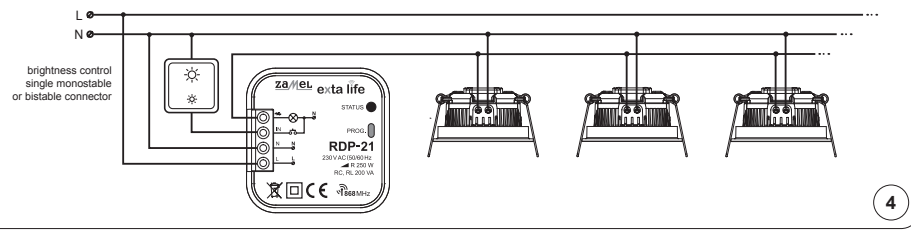
24 V DC



230 V AC



230 V DIMMABLE



WARRANTY CARD

The manufacturer gives a 5-year warranty.

1. ZAMEL Sp. z o.o. gives a 5-year warranty for its products.
2. The warranty provided by ZAMEL Sp. z o.o. does not include:
 - a) mechanical damage caused during transport, loading/unloading or in other circumstances.
 - b) damage caused by incorrect installation or operation of products manufactured by ZAMEL Sp. z o.o.
 - c) damage resulting from any changes made by the CUSTOMER or third parties in the products sold or equipment necessary for the proper functioning of the products sold.
 - d) damage resulting from force majeure or other fortuitous events for which ZAMEL Sp. z o.o. is not responsible.
3. Any warranty claims should be submitted by the BUYER at the point of sale or to ZAMEL Sp. z o.o. in writing after the identification of defects.
4. ZAMEL Sp. z o.o. undertakes to handle complaints in accordance with the applicable provisions of the Polish law.
5. The choice of how a given complaint should be dealt with, e.g. replacement of a product with a product free from defects, repair or reimbursement of money, is up to ZAMEL Sp. z o.o.
6. The warranty does not exclude, limit or suspend the rights of the BUYER arising from the provisions of the statutory warranty for defects of the product sold.

Seller's stamp and signature, date of sale

KONEKTO LED LIGHTING FITTINGS

USER'S MANUAL

konekto

ZAMEL Sp. z o.o.

ul. Zielona 27, 43-200 Pszczyna, Poland
Tel. +48 32 210 46 65, Fax +48 32 210 80 04
www.zamel.com, e-mail: export@zamel.pl

zamel

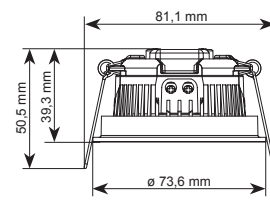
DESCRIPTION

KONEKTO ceiling LED lighting fittings designed by Zamel. The innovative option of combining light sources and KONEKTO frames enables you to create lighting fittings that meet user's expectations.

FEATURES

- possibility of creating any light patterns on the ceiling thanks to various arrangements of square plastic frames
- easy assembly in the suspended ceiling with a thickness of even 42 mm (profile of 30 mm and drywall of 12.5 mm)
- possibility of creating a light source adjusted to the individual requirements of the user thanks to a wide range of interchangeable frames
- possibility of choosing the colour of light: warm 3000 K, neutral 4000 K, cold 5700 K
- possibility of dimming LED light sources for both 24 V DC and 230 V lighting fittings

FITTING DIMENSIONS



NOTE

The device should be connected to single-phase grid in accordance with applicable standards. The way of connecting the product is specified in this manual. Activities related to the assembly, connection and adjustment should be carried out by qualified electricians who have read the user's manual and familiarised themselves with the functions of the device. The disassembly of the device housing voids the warranty and can cause a danger of electric shock. Before assembly, make sure that there is no voltage on connection cables. To mount the device, use a cross-head screwdriver with a diameter of 3.5 mm. The transport, storage and operation method may affect the proper functioning of the device. It is not advisable not to mount the device in the following cases: lack of any components, damage to or deformation of the device. In case of the improper functioning of the device, please contact the manufacturer.



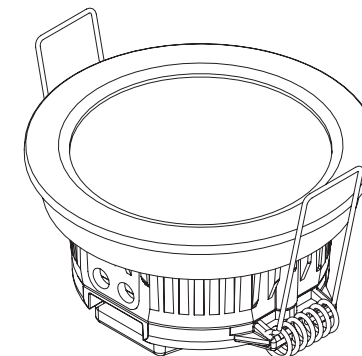
This symbol means a separate collection of electrical and electronic equipment. It is forbidden to place waste equipment together with other waste.

TECHNICAL DATA

KONEKTO

supply voltage:	24 V DC / 230 V AC – depending on the version
lamp power:	3.5 W for 350 lm 5.5 W for 500 lm
luminous flux:	350 lm / 500 lm – depending on the version
colour temperature:	warm 3000 K, neutral 4000 K, cold 5700 K – depending on the version
angle of light:	approx. 120°
luminous efficacy:	approx. 100 lm / W
dimming option:	PWM dimmer – 24 V DC selected transistor and triac dimmers – 230 V DIMM
fitting depth:	38 mm
mounting hole:	IP44 ø 75 + 80 mm IP20 ø 75 + 85 mm
IP class:	IP44
weight:	24 V DC 68 g / 230 V AC 79 g

APPEARANCE



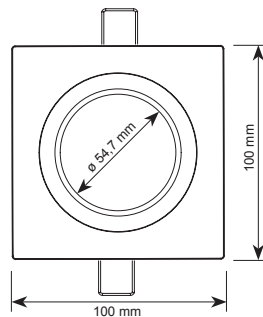
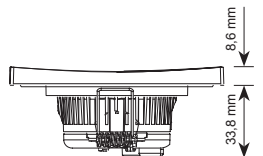
EUROPEAN
QUALITY
and reliability

FRAMES

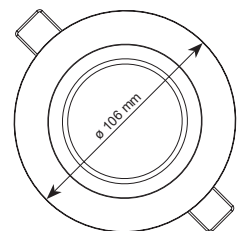
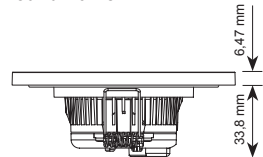
The frame is a very interesting component of this mosaic. Offered frames are available in various colour versions. KONEKTO frames are made of plastic, glass and aluminium, which allows you to adjust light sources to changing interior design. Both single and double variants of frames are available. What is more, plastic frames can be freely combined, as a result of which you can create interesting and unique illuminations.

DIMENSIONS WITH THE FRAME

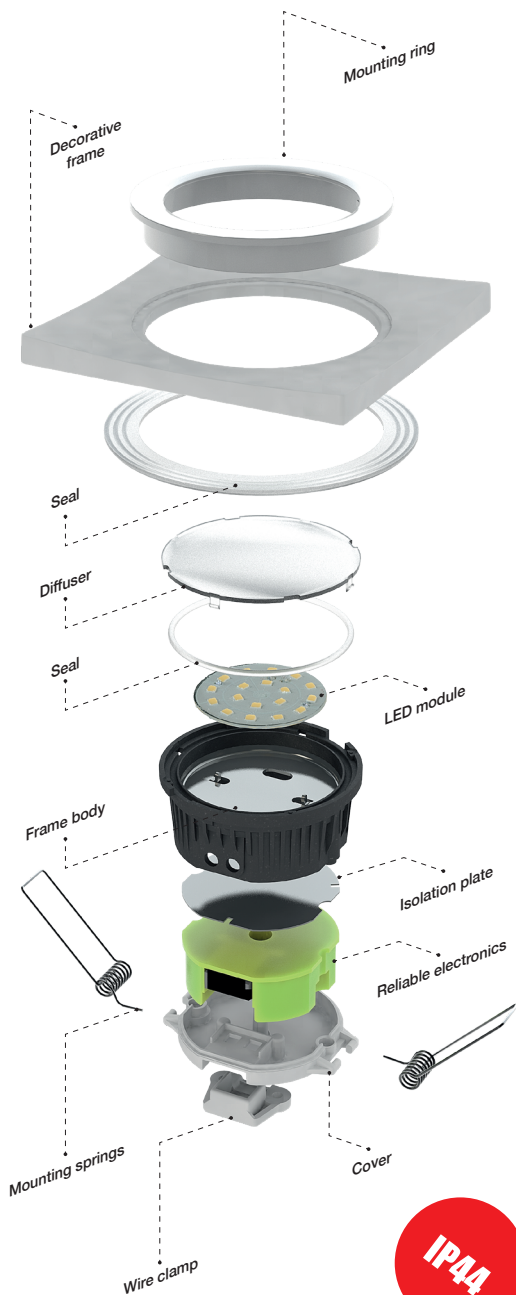
square frame



round frame

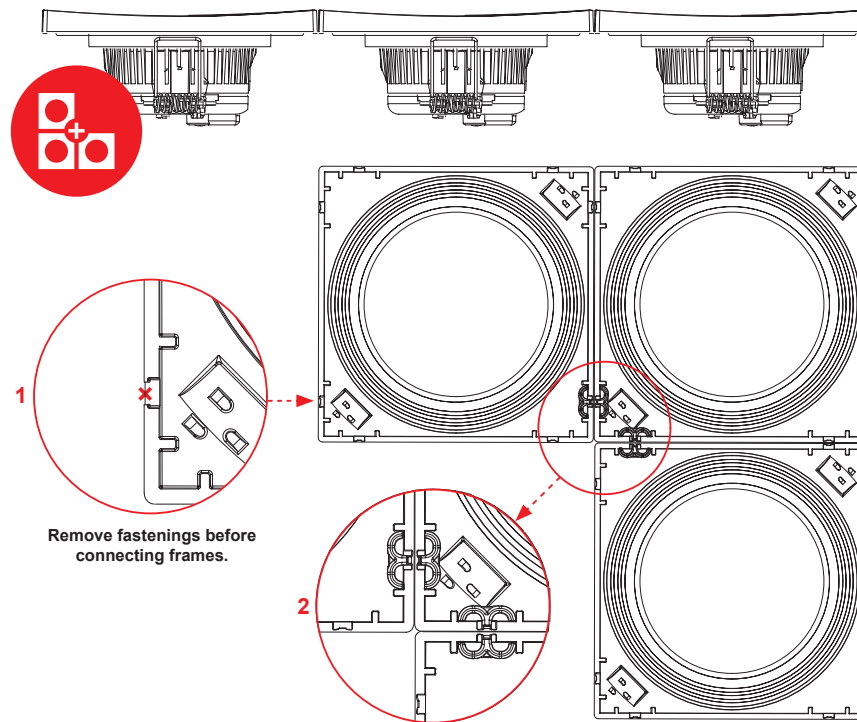


CONSTRUCTION



ARRANGEMENTS OF SQUARE FRAMES

Thanks to fastenings, square plastic frames can be freely combined, which makes it possible to create interesting arrangements.



Remove fastenings before connecting frames.

EXAMPLES OF FRAME ARRANGEMENTS

