



**Zakład Mechaniki i Elektroniki
ZAMEL sp.j.**
J.W. Dzida, K. Łodzińska



ul. Zielona 27, 43-200 Pszczyna, Poland
Tel. +48 (32) 210 46 65, Fax +48 (32) 210 80 04
www.zamelcet.com, e-mail: marketing@zamel.pl

DESCRIPTION

SOS-01 light sensor is used to cooperate with twilight switches WZM-01, WZM-02, WZH-01, WZN-01 produced by ZAMEL. It measures the luminous flux density outside and passes/ directs the signal straight to the twilight switch.

The light sensor is set in a hermetic casing in order to work in difficult weather conditions (IP 54). It is mounted by means of attached screws on the surface.

FEATURES

- Hermetic casing (IP 54),
- cooperation with twilight switches WZM-01, WZM-02, WZH-01, WZN-01 produced by ZAMEL,
- surface mounting,
- terminal clamps 0,2 ÷ 2,50 mm².

TECHNICAL DATA

SOS-01	
Terminal clamps:	IN, IN
Maximum sensor cable length:	50 m (MTY 2 x 0,5 mm ²)
Light sensor:	inner
Number of terminal clamps:	2
Section of connecting cables:	0,2 ÷ 2,50 mm ²
Ambient temperature range:	-20 ÷ +45 °C
Operating position:	freely
Casing mounting:	2x stretcher 6x(3,5x35)
Casing protection degree:	IP54 (EN 60529)
Protection level:	II
Overvoltage category:	II
Pollution degree:	2
Surge voltage:	1 kV (EN 61000-4-5)
Dimensions:	84x68x43 mm
Weight:	0,05 kg
Reference standard:	EN 60669-1 EN 60669-2-1 EN 61000-4-2,3,4,5,6,11

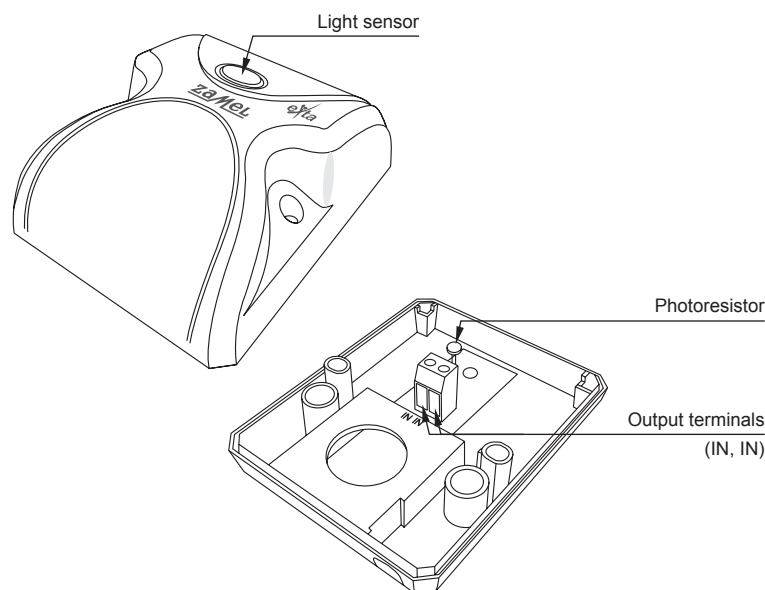


The device must be installed in accordance with standards valid in a particular country. The device should be connected according to the details included in this operating manual. Installation, connection and control should be carried out by a qualified electrician staff, who act in accordance with the service manual and the device functions. Disassembling of the device is equal with a loss of guarantee and can cause electric shock. Before installation make sure the connection cables are not under voltage. The cruciform head screwdriver 3,5 mm should be used to instal the device. Improper transport, storage, and use of device influence its wrong functioning. It is not advisable to instal the device in the following cases: if any device part is missing or the device is damaged or deformed. In case of improper functioning of the device contact the producer.



The symbol means selective collecting of electrical and electronic equipment. It is forbidden to put the used equipment together with other waste.

APPEARANCE

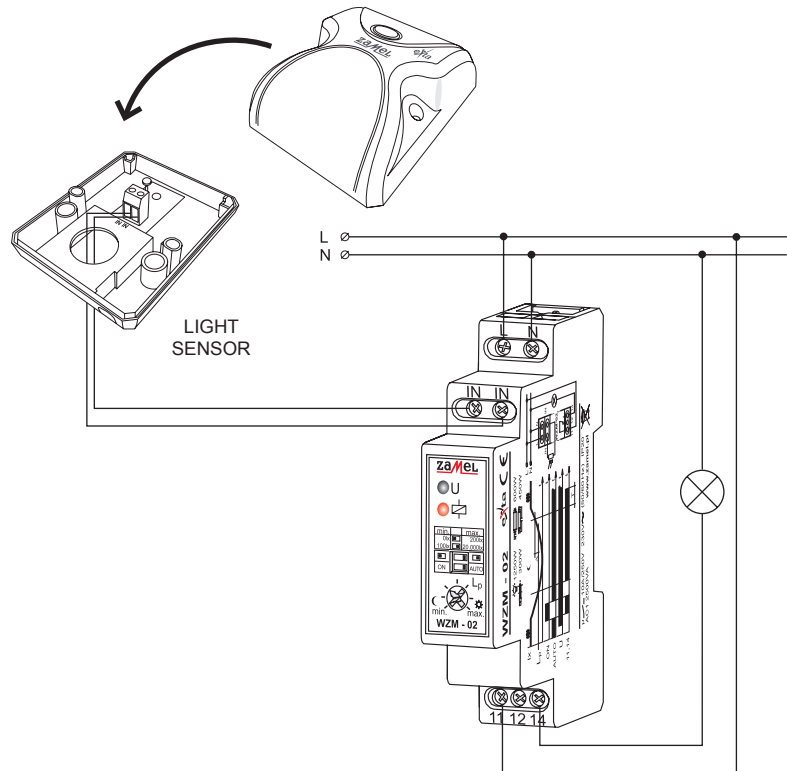


MOUNTING, FUNCTIONING

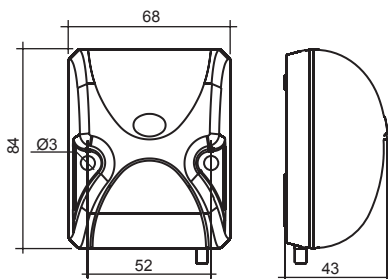
1. Disconnect power supply by the phase fuse, the circuit-breaker or the switch- disconnecter combined to the proper circuit.
2. Check if there is no voltage on connection cables of the twilight switch cooperating with a light sensor by means of a special measure equipment.
3. Unscrew the cover.
4. Put the installation cables through rubber gland.
5. Fasten the SOS-01 device to the base by means of screws.
6. Connect the cables with the terminals in accordance with the installing diagram.
7. Tighten the cover screws.
8. Switch on the power supply from the mains for the twilight switch.

The device is ready to work after correct mounting and connecting. Adjust demanded switch on time on the twilight switch cooperating with the SOS-01 light sensor. (WZM-01, WZM-02, WZH-01, WZN-01 produced by ZAMEL).

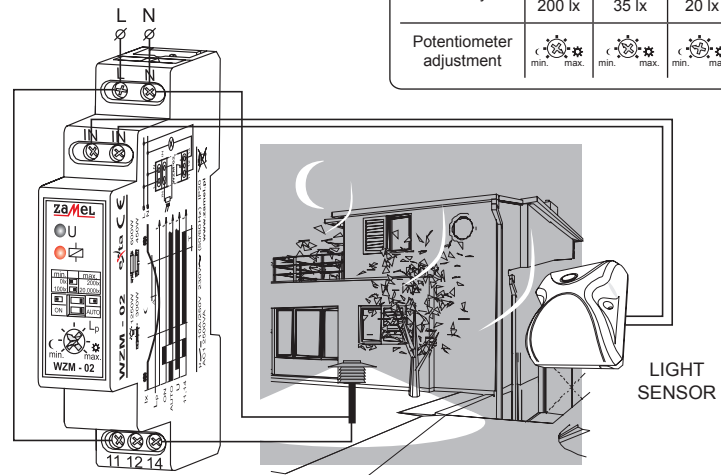
CONNECTION



DIMENSIONS



APPLICATION



Luminous flux density				
	200 lx	35 lx	20 lx	2 lx
Potentiometer adjustment				
	min. max.	min. max.	min. max.	min. max.

Typical application:

SOS-01 light sensor in cooperation with WZM-02 twilight switch operating light control functions (e.g. garden lighting). The light sensor should not be installed in a place directly illuminated by lamps.

SENSOR FAMILY

Sensor:	Cable length:
SOH-01	1 m
SOH-03	3 m
SOH-05	5 m
SOS-01	none

WARRANTY CARD

There is 24 months guarantee on the product

Salesman stamp and signature, date of sale

1. ZMIE ZAMEL SP. J. assures 24 months guarantee for the product.
2. The manufacturer's guarantee does not cover any of the following actions:
 - a) mechanical damage during transport, loading / unloading or under other circumstances,
 - b) damage caused by incorrect product mounting or misuse,
 - c) damage caused by unauthorised modifications made by the PURCHASER or any third parties to the product or any other devices needed for the product functioning,
 - d) damage caused by Act of God or any other incidents independent of the manufacturer.
3. The PURCHASER shall lay any claims in writing to the dealer or ZMIE ZAMEL SP. J.
4. ZMIE ZAMEL SP. J. is liable for processing any claim according to current Polish legislation.
5. ZMIE ZAMEL SP. J. shall process the claim at its own discretion: product repair, replacement or money return.
6. The manufacturer's guarantee is valid in the Republic of Poland.
7. The PURCHASER's statutory rights in any applicable legislation whether against the retailer arising from the purchase contract or otherwise are not affected by this warranty.