

# ledix

## LED lighting fitting

### MUNA



Mounting  
indoor only



Mounting  
in a Ø60 junction box.



Supply voltage  
230 V AC

MUNA is a high quality LED fitting with decorative and application features. It is used for lighting corridors, passageways, for decorative lighting of furniture and lighting arrangement in the interior design.

The features of the fitting:

- supply voltage 230 V AC 50 / 60 Hz
- mounting in the Ø60 junction box
- luminous flux emitted in two planes: lower and front
- excellent lighting parameters obtained by applying the highest quality LED diodes by CREE
- repeatability of the light colour
- high lighting output with minimum power consumption
- high quality and durability estimated to light continuously for five years (~40 000 h).



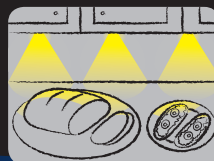
#### Application:



stairs



corridors, passageways



furniture, decorative lighting

A detailed mounting instruction is in the packaging

# zameL

## LED lighting fitting

### MUNA

IP20

230 V AC

# ledix



Made in EU

# zameL

**Zamel Sp. z o.o.**  
PL 43-200 Pszczyna, ul. Zielona 27, Poland  
tel: +48 32 449 15 00, fax: +48 32 449 15 02  
e-mail: ledix@ledix.pl, [www.ledix.pl](http://www.ledix.pl)

**230 V AC; IP20**  
weight: 152 g



Declaration of Conformity  
is on [www.ledix.pl](http://www.ledix.pl)



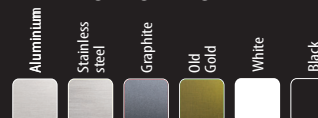
The symbol means selective collecting of electrical and electronic equipment. It is forbidden to put the used equipment together with other waste.



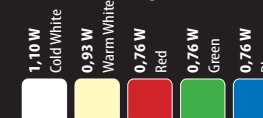
Made in EU

02-221 ENG Ver. 04

#### Lighting Fitting colour



#### Power / Light colour



[www.ledix.pl](http://www.ledix.pl)

## TECHNICAL DATA

Supply voltage	230 V AC	
Power consumption	1,10 W – cold white	
	0,93 W – warm white	
	0,76 W – red	
	0,76 W – green	
	0,76 W – blue	
	cold white	warm white
Colour rendering index $R_a$	71	80
Colour temperature $T_c$ [K]	5900	3100
Luminous flux $\Phi$ [lm]	18	12
Luminous efficiency [lm/W]	32	29

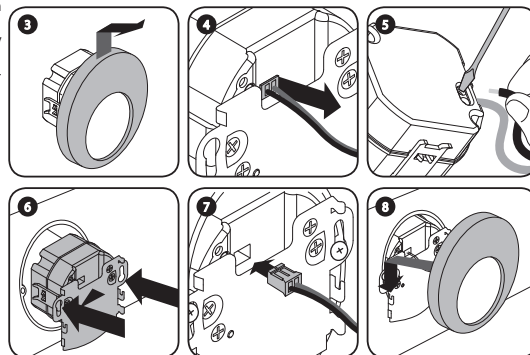


## MOUNTING

**CAUTION!** The device is designed for single-phase installation and must be installed in accordance with standards valid in a particular country. Installation, connection and control should be carried out by a qualified electrician staff, who act in accordance with the service manual and the device functions.

Fitting is designed for mounting in  $\varnothing 60$  junction box.

1. Disconnect power supply by the phase fuse, the circuit-breaker or the switch- disconnector combined to the proper circuit.
2. Check if there is no voltage on connection cables by means of a special measure equipment.
3. Remove the fitting - with the help of fingers hold the control module and move the fitting upward (as shown in the Figure) and gently pull away from the mounting element.
4. Disconnect the connecting cables between the fitting and the control module.
5. Connect the installation cables into the appropriate terminals of the control module in accordance with the connection diagram.
6. Mount the control module in a  $\varnothing 60$  junction box and tighten the screws.
7. Connect the fitting cables with the module mounted in  $\varnothing 60$  junction box.
8. Mount the front of the fitting on the mounting element.
9. Switch on the power supply from the mains.
10. Check if the fitting works properly.



## INSTALLATION EXAMPLE

